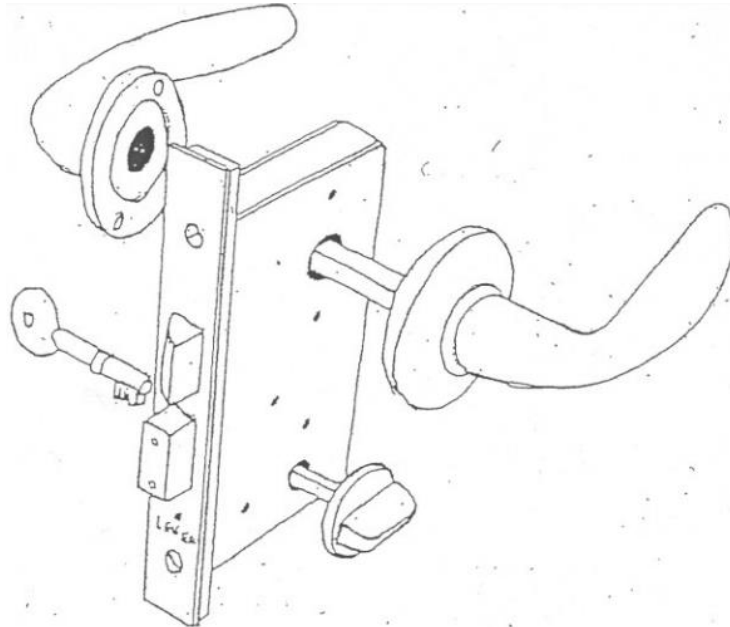


ACCEPTABLE LOCKS FOR FIRE DOORS & DOORS ON EXIT ROUTES

A SECURITY LOCK/LATCH SET (IF NEEDED) MUST HAVE A 'SNIB' OR 'THUMBTURN' ON THE RISK – ROOM SIDE TO ENABLE QUICK EXIT FROM THE ROOM WITHOUT THE USE OF A KEY. A NIGHT LATCH IS NOT ACCEPTABLE.



A YALE 81 IS ALSO ACCEPTABLE AND IS A CYLINDER LOCK WITH A METAL ROLLER BALL CATCH.

